

Slimline Muntin Bar

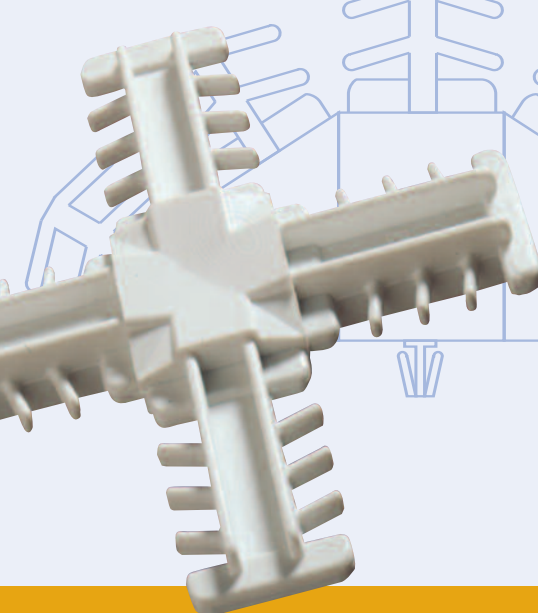
Contour Muntin Bar

Tutone Contour Muntin Bar

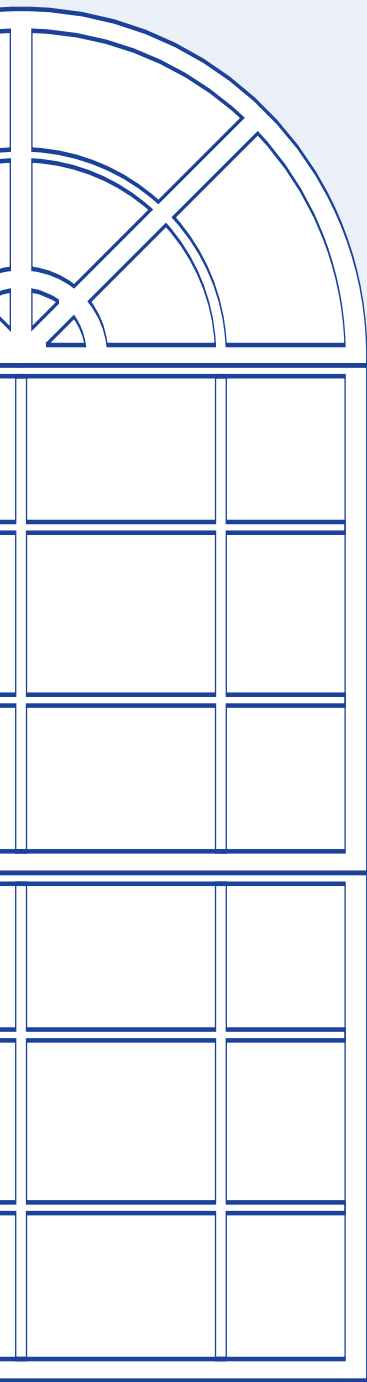
Extruded Contour Muntin Bar

Multi-Position Starburst Hub

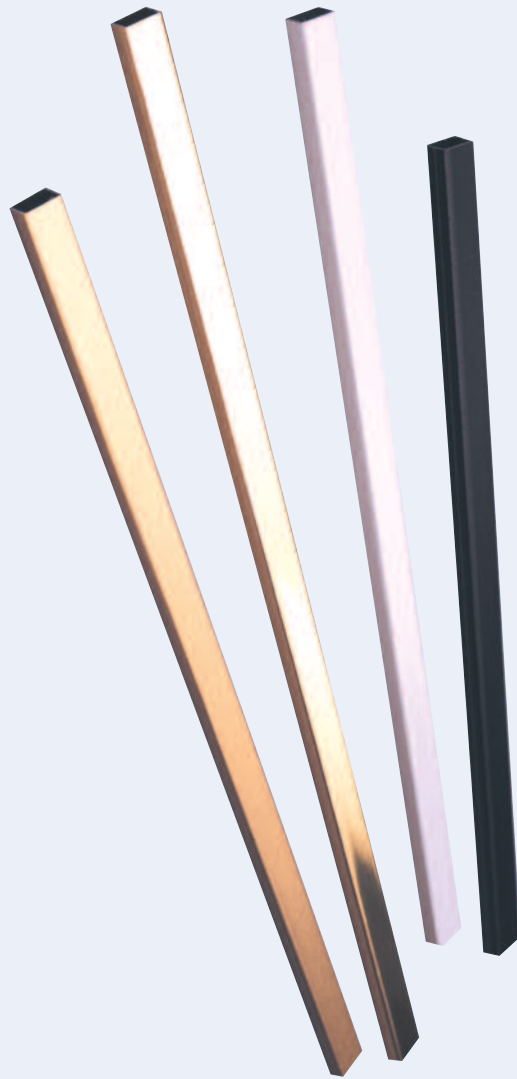
Flexible Intersect



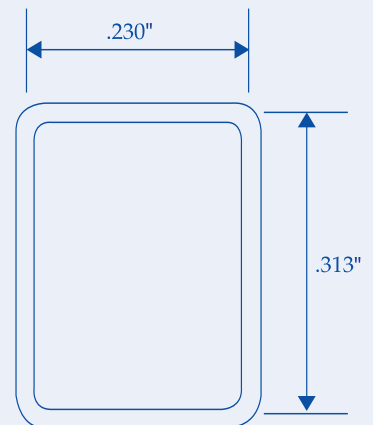
 **ALLMETAL®**



Slimline Muntin Bar



- **Thinnest muntin bar for the most elegant profile.**
- **Available in White, Bronze-A, Dark Oak, Light Oak, Gold, Color-In™ Anodized Aluminum and Electrolytic Gold.**
- **Durable, UV-stable polyester coating resists fading.**
- **.230 x 5/16" (.313") size.**
- **Comes with a complete line of Allmetal Slimline Components.**



Thin is In

When the look is sleek and sophisticated, look to new Allmetal Slimline Muntin Bars. A mere .230 x 5/16" (.313"), these bars are particularly suitable for elegant French door applications, popular prairie-style designs, patio doors and windows calling for slim, European styling. They're especially beautiful in bright gold, but come in a wide range of Allmetal colors and finishes.

www.allmetalinc.com

Contour, Tutone Contour and Extruded Contour Muntin Bars



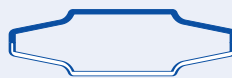
Contour Muntin Bars

- Available in 5.5 x 18mm, 8 x 18mm and 8 x 25mm sizes.
- Easy to Assemble.
- Durable, UV-stable polyester coating resists fading.
- Tutone contour muntins are available in a full range of colors including simulated wood grains.
- Custom color match within “1 Delta E.”
- Contour Muntin and Tutone Contour Muntin Bars are laser-welded for strength.
- Extruded Contour Muntin Bars are thicker than roll-formed muntins, allowing them to be bent to radiuses up to 4”.



Getting Your Windows in Great Shape

From the looks of it, your windows are in top form. That’s because Allmetal **Contour Muntin Bars** are designed with sleek contours that add depth, dimension and style. The contrast created by the contours is noticeable and lends sophistication to the overall window appearance. Custom color matching offers decorating versatility while the benefit of laser-welding provides superb stability, durability and security.



The Perfect Complement Any Way You Look at It

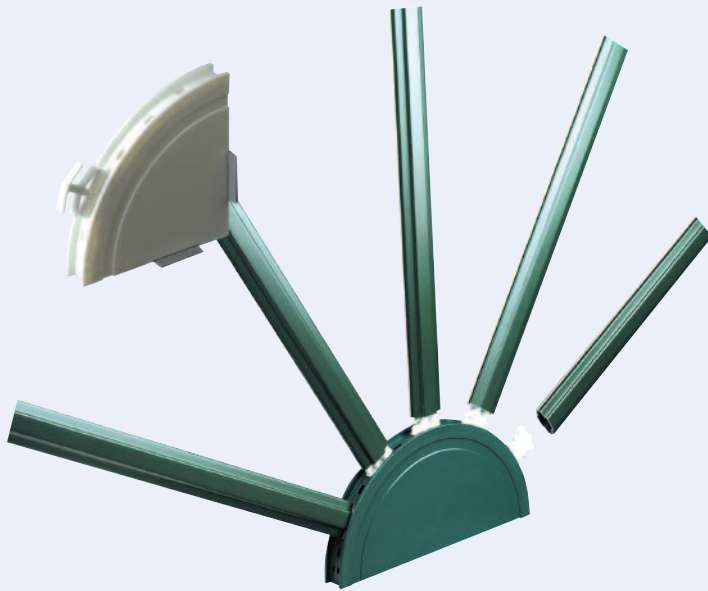
From the outside looking in and the inside looking out, Allmetal **Tutone Contour Muntin Bars** deliver terrific style. The tutone version offers the opportunity to mix and match any choice of wood grains or solid colors allowing you to color match interior and exterior environments. Color continuity is easy, plus color matching and tutone options allow for endless color combinations. Shapely contours introduce elegance—it’s the ultimate for upscale decorative windows.



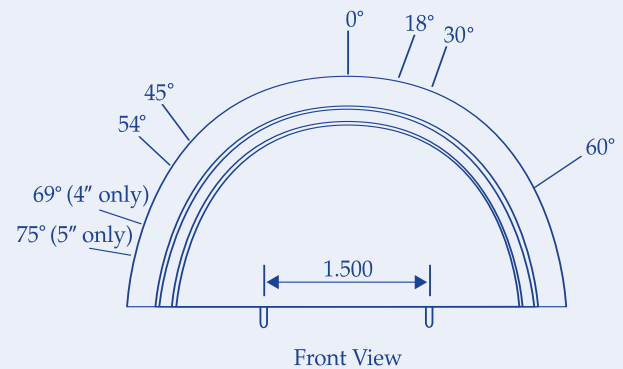
It Bends Over Backward for Beauty

Create beautiful, complex window designs with flexible Allmetal **Extruded Contour Muntin Bars**. Extruded for extra thickness, these muntins hold their shape as they curve to meet the needs of classic arch designs. Manufactured for high-end aesthetics, these extruded muntins offer a tighter radius and no distortion. Use them in your most sophisticated window architecture.

Multi-Position Starburst (MPS) Hub



- Accommodates 1 to 5 spokes and various-sized contour and flat muntin bars.
- Quick and easy to assemble with muntin bars cut to 90°
- Custom color match within "1 Delta E."
- The 5.5mm x 4" hub accommodates 5.5 x 18mm contour muntin bar.
- The 8mm x 5" hub accommodates 5.5 x 18mm, 8 x 18mm and 8 x 25mm contour muntin bar.

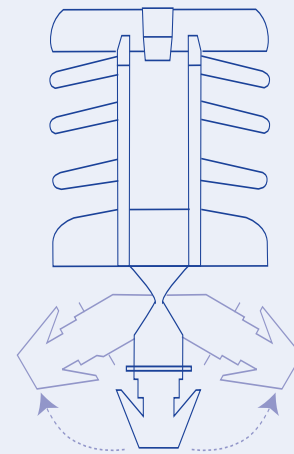
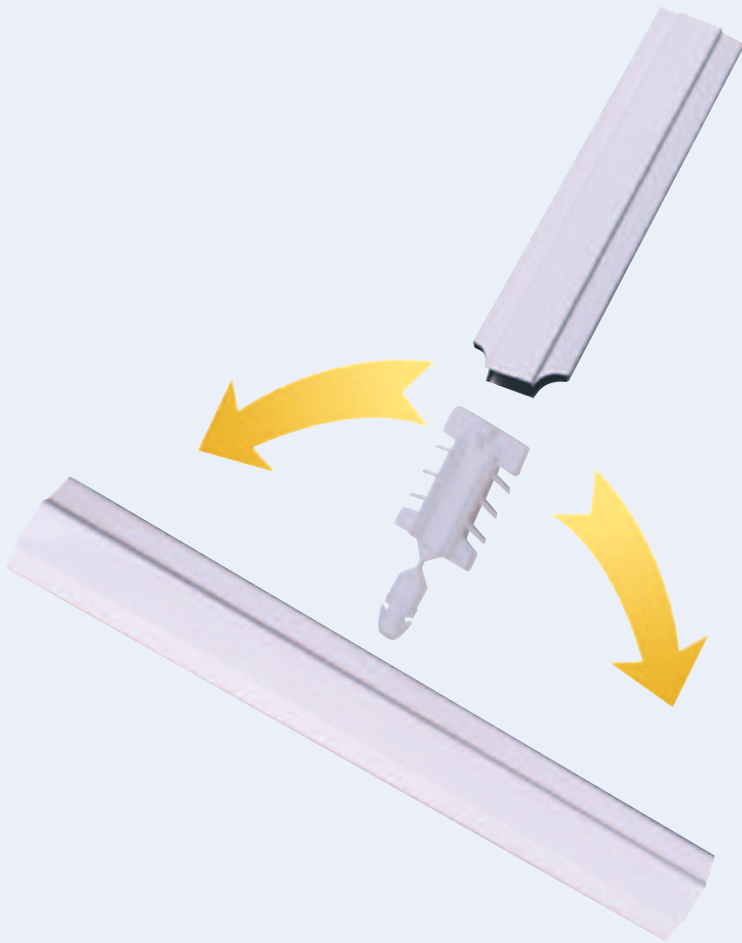


The Ultimate One-Size-Fits-All Hub

Snap in muntin bars any way you want them and create just the look you like. Be creative—use from 1 to 5 spokes and your choice of Allmetal Contour or Flat Muntin Bars. With the versatile Allmetal Multi-Position Starburst, the hub allows for any number of starburst and arch designs. Mix'n'match interior and exterior colors with Allmetal Tutone Muntin Bars. The pre-colored, UV stable polyester coating won't fade, discolor, scratch or chip. So you get both durability and flexibility with this Starburst.

Flexible Intersect

- Allmetal's answer to unique grid sizes.
- Intersect bends to variable angles for diamond and prairie-style designs.
- One component means less inventory.
- Fits 8 x 18mm and 8 x 25mm contour muntin bars.



Diamonds are its Best Friend

Just one component is all you need to create diamond grid and prairie-style windows of all dimensions. The Allmetal Flexible Intersect bends any which way you want it to, then secures by locking into the contour muntin bar. Instead of using a variety of components to accommodate a variety of window heights and diamond shapes—use and stock one. Creativity knows no boundaries with this innovative intersect, only from Allmetal.

About This Reference Guide

This brochure is a condensed version of our Full Line Catalog. Additional information is available upon request in either print, CD-ROM format, or available to download from our website at www.allmetalinc.com. The products shown herein meet all insulated glass component requirements. Our engineering and manufacturing capabilities allow us to manufacture quality custom products in a variety of materials to meet your required needs. For your convenience, Allmetal sales representatives are located across the world. We welcome your call.

U.S.A. HEADQUARTERS

One Pierce Place, Suite 900
Itasca, IL 60143
(630) 250-8090
Fax: (630) 250-8387
800-638-2599

EASTERN U.S.A.

3601 Kennedy Road
South Plainfield, NJ 07080
(908) 769-5500
Fax: (908) 769-5525
800-222-0549

SOUTHEAST U.S.A.

128 Coleman Blvd.
Savannah, GA 31408-9540
(912) 748-5552
Fax: (912) 748-4482
800-237-7432

MIDWEST U.S.A.

636 Thomas Drive
Bensenville, IL 60106
(630) 766-8500
Fax: (630) 766-1082
800-323-8202

SOUTHWEST U.S.A.

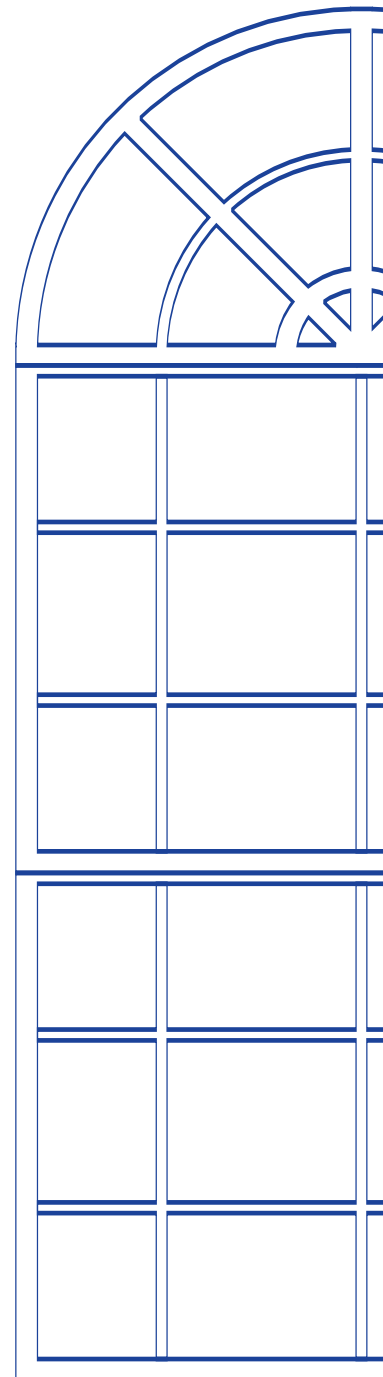
1413 Bradley Lane
Carrollton, TX 75007
(972) 245-9264
Fax: (972) 245-5281
800-527-7529

WESTERN U.S.A.

1301 East Glendale
Sparks, NV 89431
(775) 358-6448
Fax: (775) 358-1674
800-824-1372

EUROPE

Junkersstr. 8
04509 Wiedemar
Germany
+ 49 (0) 34207-407 0
Fax: + 49 (0) 34207-407 20



www.allmetalinc.com

email: sales@allmetalinc.com